



TANK SPECIFICATIONS

MAKE: TRANS TANK® INTERNATIONAL

MODEL: STORM™ 8000L

MATERIAL: POLYETHYLENE

MAX. CAPACITY: 8,000 LITRES

SAFETY & COMPLIANCE ENGINEERING PLATE AND CERTIFICATE FOR BODY MOUNTING; ADR COMPLIANT DESIGN; OPERATOR MANUAL; RISK ASSESSMENT; ISO 9001:2015 ISO STANDARD QUALITY MANAGEMENT

CHASSIS SPECIFICATIONS

MAKE: HINO

MODEL: FE 1426

CONFIGURATION: 4 X 2

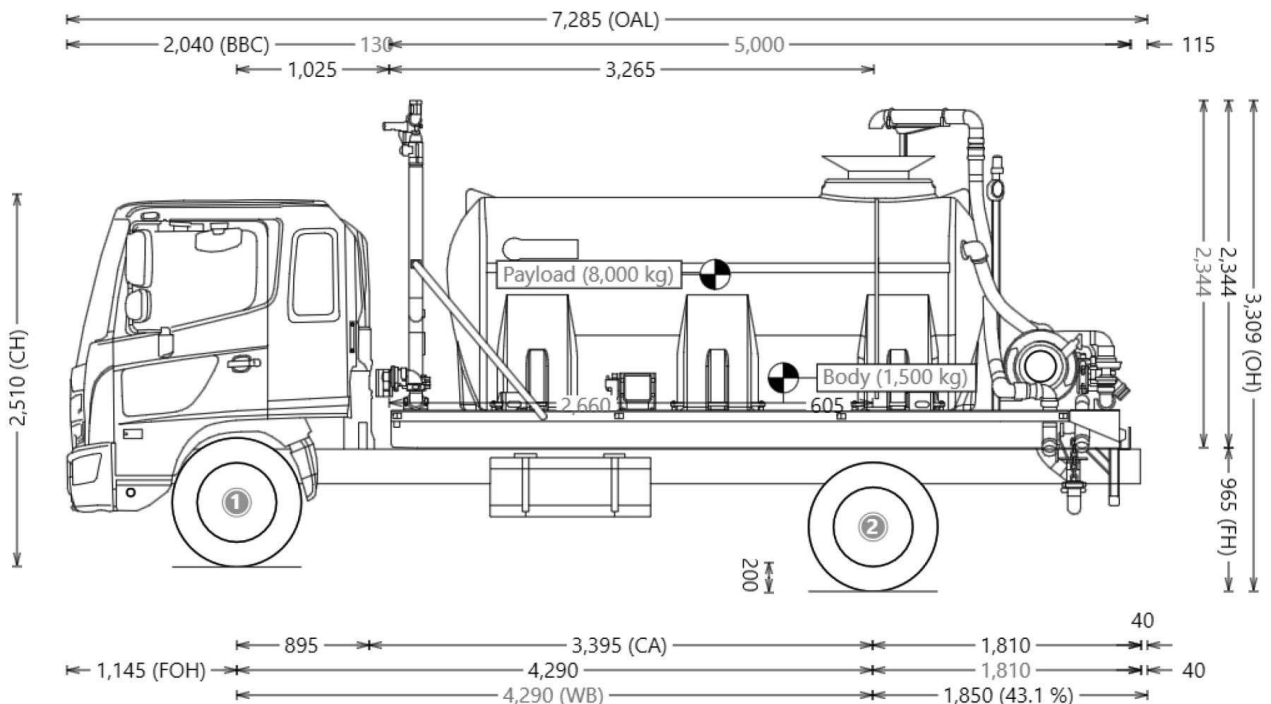
GVM | GCM: 14,000 kg | 00,000 kg

TRANSMISSION: ALLISON 2500, 6 SPEED AUTOMATIC

ENGINE: FE 1426 DIESEL, TWIN TURBOCHARGED & INTERCOOLED 4 CYLINDER WITH OVERHEAD CAMSHAFT

POWER: 260hp/191kW @ 2,300RPM

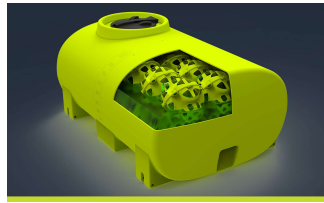
FUEL TANK: 200 LITRES



STANDARD FEATURES



HEAVY-DUTY POLY TANK
 Tough, rotomolded poly tank with a 20-Year Warranty, reflective decals & rear/side site tubes



LIQUIDLOCKER™ Baffle SYSTEM
 100% Elimination of liquid surge for safe water transport



ENGINEER APPROVED CHASSIS FRAME
 Galvanised, engineer-approved subframe, fitted to truck chassis. VASS Certificate supplied.



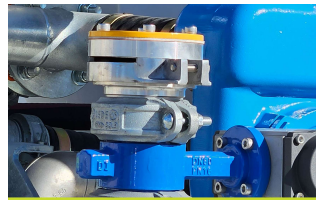
EASY-TO-USE IN-CAB CONTROLLER
 Ergonomic In-cab control panel mounted in the cabin



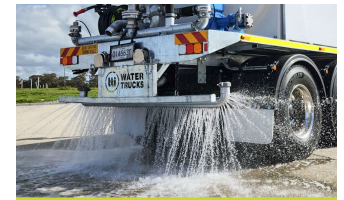
HYDRAULIC PUMP SYSTEM
 Variable Speed Hydraulic system complete with Hydra Pak, PTO to Truck, Piston Pump, Hydraulic valving and controls



1600 L/MIN CAST IRON PUMP
 1600L/min, Self Priming, Australian Made Cast Iron Pump with pressure relief



3" REAR SPRAY HEADS
 Central 3" & two 1.5" left and right magnum spray heads with individual on/off. Adjustable roll groove mounting



PRESSURISED AND/OR GRAVITY DRIBBLE BAR
 Featuring 3" Pressurised and/or Gravity Dribble Bar's



3" WATER CANNON (ELECTRIC)
 Electric nozzle for spray pattern control; In-cab joystick; Australian Made



BATTER SPRAY HEADS
 2x Batter spray heads mounted on each side of the truck between the tank and the cab



FRONT SPRAY HEADS
 2 x Front spray frog nozzles mounted on front of the truck - individual on/off



WORK LIGHTS
 Engineered-for-purpose water cart vehicles. Built to your specifications to suit any mining, civil, or commercial environment.

OTHER FEATURES

- ① 20M SPRING REWIND HOSE REEL
- ② LED REAR TAILLIGHTS & CLEARANCE LIGHTS
- ③ FUNNEL LID AND HYDRANT FILL SYSTEM
- ④ REVERSE CAMERA & SQUAWKER
- ⑤ SUCTION / DISCHARGE MANIFOLD & FILL KIT
- ⑥ ROOF RACK WITH ROTATING BEACONS
- ⑦ GME TX4500 UHF
- ⑧ BATTERY ISOLATION SWITCH